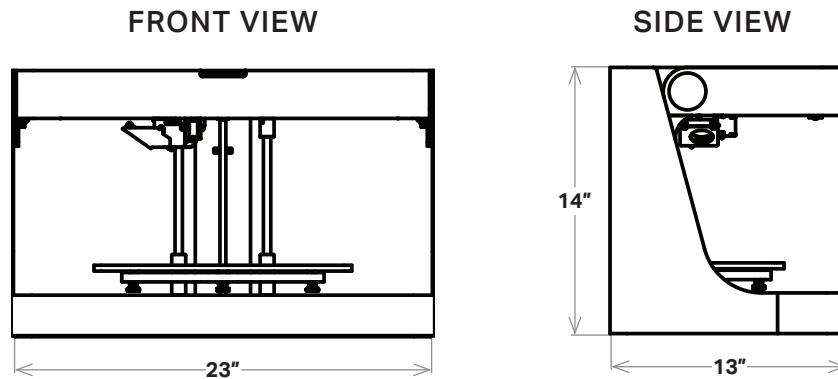


PRODUCT SPECIFICATIONS

# Onyx One (Gen 2)

Built on the same platform as our award-winning Mark Two, the Onyx One is designed from the ground up for quality and reliability in a form factor that fits on your desktop. Onyx parts are twice as strong as conventional printing plastics.

<b>Printer Properties</b>	<b>Process</b>	Fused filament fabrication
	<b>Build Volume</b>	320 x 132 x 154 mm (12.6 x 5.2 x 6 in)
	<b>Weight</b>	15 kg (34 lbs)
	<b>Machine Footprint</b>	584 x 330 x 355 mm (23 x 13 x 14 in)
	<b>Print Bed</b>	Kinematic coupling — flat to within 160 $\mu$ m
	<b>Extrusion System</b>	Second-generation extruder, out-of-plastic detection
	<b>Power</b>	100–240 VAC, 150 W (2 A peak)
	<b>RF Module</b>	Operating Band 2.4 GHz Wi-Fi Standards 802.11 b/g/n
	<b>Materials</b>	<b>Plastics Available</b>
<b>Fibers Available</b>		None
<b>Tensile Strength</b>		37 MPa (1.25x ABS) *
<b>Tensile Modulus</b>		2.4 GPa (1.1x ABS) *
<b>Part Properties</b>	<b>Layer Height</b>	100 $\mu$ m default, 200 $\mu$ m maximum
	<b>Infill</b>	Closed cell infill: multiple geometries available
<b>Software</b>	<b>Supplied Software</b>	Eiger Cloud (Other options available at cost)
	<b>Security</b>	Two-factor authentication, org admin access, single sign-on



\* Onyx data. **Note:** All specifications are approximate and subject to change without notice.